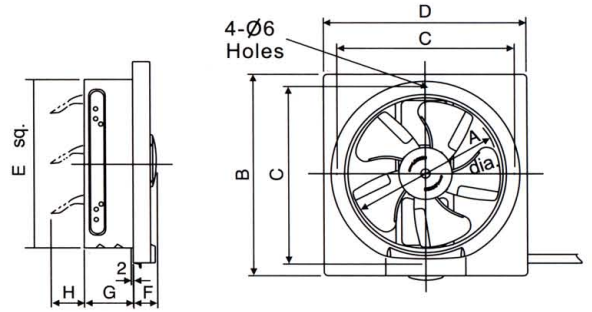
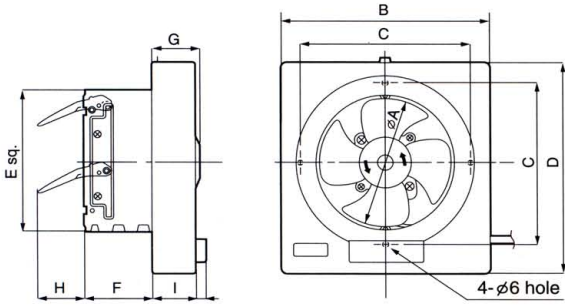
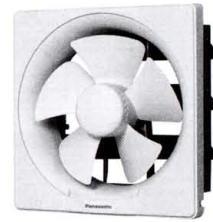
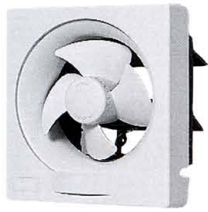


WALL MOUNT TYPE



FV-15AST1

FV-20AUT3, FV-25AUT3

DIMENSIONS

(mm)

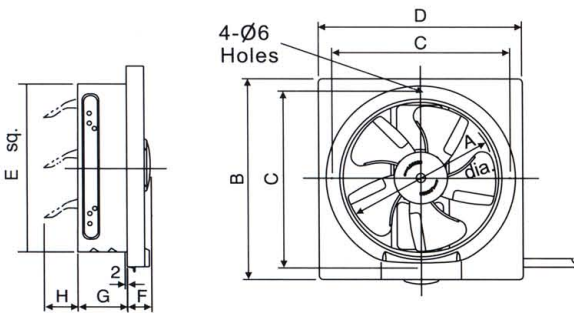
Model	A	B	C	D	E	F	G	H	I
FV-15AST1	155	240	195	254	170	75	55	54	52

DIMENSIONS

(mm)

Model	A	B	C	D	E	F	G	H
FV-20AUT3	200	306	260	302	240	52	90	80
FV-25AUT3	250	356	310	352	290	38	90	63

REVERSIBLE TYPE



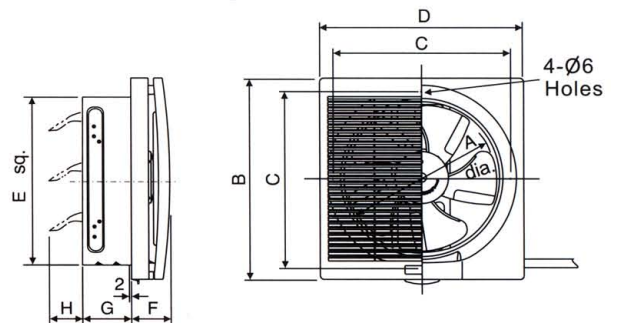
FV-20RUT2, FV-25RUT2, FV-30RUT2

DIMENSIONS

(mm)

Model	A	B	C	D	E	F	G	H
FV-20RUT2	200	306	260	302	240	52	90	80
FV-25RUT2	250	356	310	352	290	38	90	63
FV-30RUT2	300	406	360	402	340	38	90	78

LOUVER TYPE



FV-20LUT3, FV-25LUT3, FV-30LUT1

FV-20RLT2 (Reversible)

FV-25RLT2 (Reversible)

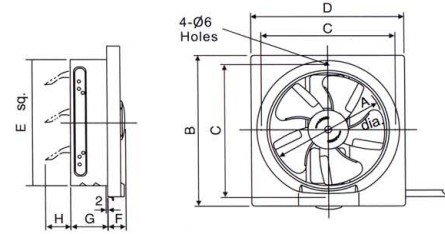
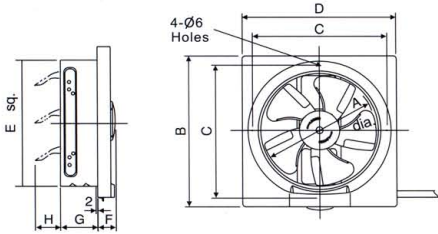
FV-30RLT1 (Reversible)

DIMENSIONS

(mm)

Model	A	B	C	D	E	F	G	H
FV-20LUT3	200	306	260	302	240	68	90	80
FV-25LUT3	250	356	310	352	290	63	90	63
FV-30LUT1	300	406	360	402	340	63	90	78
FV-20RLT2	200	306	260	302	240	68	90	80
FV-25RLT2	250	356	310	352	290	63	90	63
FV-30RLT1	300	406	360	402	340	63	90	78

WALL MOUNT TYPE



FV-20SUT2

FV-30AUT3

DIMENSIONS (mm)

Model	A	B	C	D	E	F	G	H
FV-20SUT2	200	306	260	302	240	52	90	80

DIMENSIONS (mm)

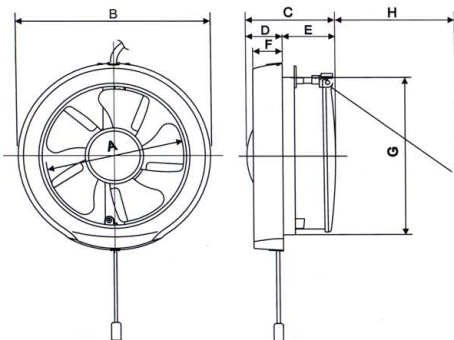
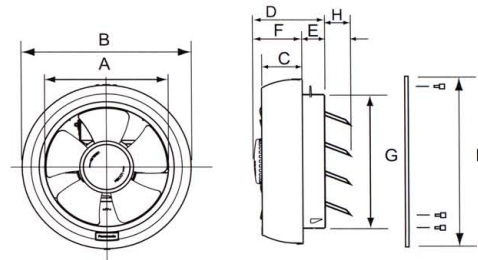
Model	A	B	C	D	E	F	G	H
FV-30AUT3	300	406	360	402	340	38	90	78

SPECIFICATIONS

Model	Air Volume		Input (W)	Speed (rpm)	Noise (dB(A))	Weight (Kg)	Grill Size W x L (mm)	Installation space W x L (mm)
	CMH	CFM						
FV-15AST1	290	170	15	1,480	31	1.4	254 x 240	170 x 170
FV-20SUT2	HI	552	325	20	1,260	2.1	302 x 306	250 x 250
	LO	426	251	18	930			
FV-20AUT3	580	341	20	1,250	40	2	302 x 306	250 x 250
FV-25AUT3	920	541	27	1,100	39	2.4	352 x 356	300 x 300
FV-30AUT3	1,152	678	31	890	39	2.7	402 x 406	350 x 350
FV-20RUT2	EX	580	341	20	1,260	2.1	302 x 306	250 x 250
	IN	400	235	15	1,150			
FV-25RUT2	EX	945	556	27	1,090	2.4	352 x 356	300 x 300
	IN	600	353	21	1,010			
FV-30RUT2	EX	1,164	685	31	885	2.8	402 x 406	350 x 350
	IN	698	411	24	760			
FV-20LUT3	546	321	20	1,190	37.5	2.2	302 x 306	250 x 250
FV-25LUT3	835	491	27	1,060	41	2.7	352 x 356	300 x 300
FV-30LUT1	930	547	31	820	41	3.1	402 x 406	350 x 350
FV-20RLT2	EX	546	321	20	1,240	2.4	302 x 306	250 x 250
	IN	370	218	15	1,190			
FV-25RLT2	EX	840	494	29	1,040	2.7	352 x 356	300 x 300
	IN	580	341	21	1,035			
FV-30RLT1	EX	990	583	31	830	3.1	402 x 406	350 x 350
	IN	594	350	25	770			

Note : The values in specification tables are representative characteristic values at 220 V, 50 Hz, and 1 phase

WINDOW MOUNT TYPE



FV-20WAT1

DIMENSIONS (mm)

Model	A	B	C	D	E	F	G	H
FV-15WUT4	150	210	97	43	54	37.4	177	149
FV-20WUT4	200	271	98	36	62	36	237	201
FV-20WAT1	208	290	59	114	45	69	237	36

SPECIFICATIONS

Model	Air Volume		Input (W)	Speed (rpm)	Noise (dB(A))	Weight (Kg)	Installation space (W x L)
	CMH	CFM					
FV-15WUT4	210	124	8.1	1,463	35	0.9	Ø 186 - 188
FV-20WUT4	360	212	16.4	1,042	32	1.1	Ø 247 - 250
FV-20WAT1	360	212	21.6	1,400	39	1.23	Ø 278 - 280

Note : The values in specification tables are representative characteristic values at 220 V, 50 Hz and 1 phase

FV-15WUT4, FV-20WUT4